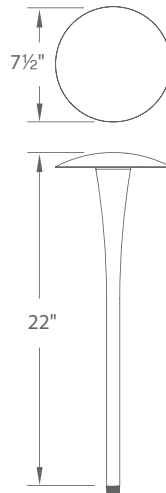


# AREA LIGHT

6011

# WAC

## LANDSCAPE LIGHTING



Fixture Type:

Catalog Number:

Project: \_\_\_\_\_

Location: \_\_\_\_\_

### PRODUCT DESCRIPTION

Broad appeal makes this fixture suitable for varying landscape designs

### FEATURES

- IP66 rated, Protected against powerful water jets
- Factory sealed water tight fixtures
- Translucent lens provides uniform light distribution
- Solid brass or corrosion resistant aluminum alloy
- Mounting stake, 6 foot lead wire, and direct burial gel filled wire nuts are included
- Maintains constant lumen output against voltage drop
- UL 1838 Listed

### SPECIFICATIONS

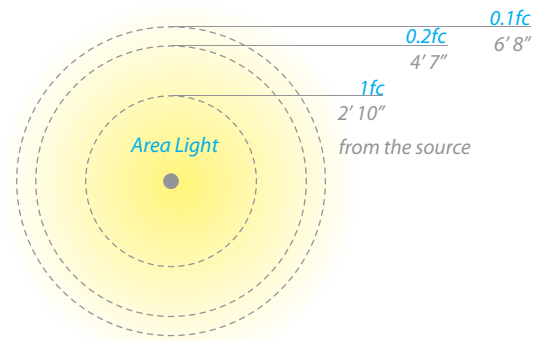
**Input:** 9-15VAC (Transformer is required)  
**Power:** 5.8W / 9.4VA  
**Brightness:** 150 lm  
**CRI:** 90+  
**Rated Life:** 60,000 hours

### ORDERING NUMBER

		Color Temp	Finish
<b>6011</b>	<i>Area Light</i>	<b>27</b> 2700K	<b>BBR</b> <i>Bronze on Brass</i>
		<b>30</b> 3000K	<b>BZ</b> <i>Bronze on Aluminum</i>

**6011-\_\_\_BBR**

Example: **6011-30BZ**



waclighting.com  
 Phone (800) 526.2588  
 Fax (800) 526.2585

Headquarters/Eastern Distribution Center  
 44 Harbor Park Drive  
 Port Washington, NY 11050

Central Distribution Center  
 1600 Distribution Ct  
 Lithia Springs, GA 30122

Western Distribution Center  
 1750 Archibald Avenue  
 Ontario, CA 91760

# AREA LIGHT

6011

# WAC

## LANDSCAPE LIGHTING

### Surface Mount Flange/Stake



Includes three 7 inch threaded stainless steel stabilizing pins for ground mounting or surface mounts with four screws or over a junction box

**5000-SCP-BZ**  
Bronze on Aluminum

### Additional Mounting Stake



**9000-ST9-BK**  
Durable PVC stake

### Magnetic Transformers

Stainless Steel, 12-15V output, IP65 rated, UL 1838 listed  
See transformer spec sheet for details and its accessories

**9075-TRN-SS**  
75W Max

**9150-TRN-SS**  
150W Max

**9300-TRN-SS**  
300W Max

**9600-TRN-SS**  
600W Max



### TESTED MAGNETIC LOW VOLTAGE (MLV) DIMMERS

Luminaire	Dimmer					
	Manufacturer	Family	Model	Power Rating	Range*	Note
<b>6011</b>	Lutron	Diva	DVLV-600	600W	33% - 100%	Output maxes at 50% dimming level
		Skylark	SLV-600P	600W	28% - 100%	Output maxes at 50% dimming level
		Skylark	S-10P	1000W		Not recommended

\*Low end of this range is determined by output current which may not directly translate to the perceived light output

WAC Lighting fixtures are compatible with a variety of dimmers. For your convenience we have included a compatibility chart showing dimmers which have been tested with our products. The recommended list below is based upon testing conducted in a lab, and the results can vary in certain field applications due to a number of factors. Exclusion from the list does not imply incompatibility, just that it has not been tested by WAC Lighting. Please reference the dimmer manufacturer's instructions for installation, or contact a WAC lighting professional at 800-526-2588.

waclighting.com  
Phone (800) 526.2588  
Fax (800) 526.2585

Headquarters/Eastern Distribution Center  
44 Harbor Park Drive  
Port Washington, NY 11050

Central Distribution Center  
1600 Distribution Ct  
Lithia Springs, GA 30122

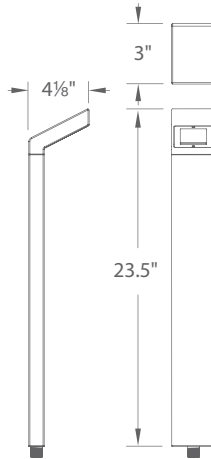
Western Distribution Center  
1750 Archibald Avenue  
Ontario, CA 91760

# LINEAR PATH LIGHT

6021

# WAC

## LANDSCAPE LIGHTING



Fixture Type:

Catalog Number:

Project: \_\_\_\_\_

Location: \_\_\_\_\_

### PRODUCT DESCRIPTION

Sleek linear design blends seamlessly into pathways while providing soft, directional illumination

### FEATURES

- IP66 rated, Protected against powerful water jets
- Factory sealed water tight fixtures
- Translucent lens provides uniform light distribution
- Solid diecast corrosion resistant aluminum alloy
- Recommended spacing for installation: 8 to 10ft
- Mounting stake, 6 foot lead wire, and direct burial gel filled wire nuts are included
- Maintains constant lumen output against voltage drop
- UL 1838 Listed

### SPECIFICATIONS

**Input:** 9-15VAC (Transformer is required)  
**Power:** 2.9W / 4.7VA  
**Brightness:** 95 lm  
**CRI:** 90+  
**Rated Life:** 60,000 hours

### ORDERING NUMBER

		Color Temp	Finish
<b>6021</b>	<i>Linear Path</i>	<b>27</b> 2700K	<b>BZ</b> <i>Bronze on Aluminum</i>
		<b>30</b> 3000K	

**6021-\_\_\_BZ**

Example: **6021-30BZ**

waclighting.com  
 Phone (800) 526.2588  
 Fax (800) 526.2585

Headquarters/Eastern Distribution Center  
 44 Harbor Park Drive  
 Port Washington, NY 11050

Central Distribution Center  
 1600 Distribution Ct  
 Lithia Springs, GA 30122

Western Distribution Center  
 1750 Archibald Avenue  
 Ontario, CA 91760

# LINEAR PATH LIGHT

6021

# WAC

## LANDSCAPE LIGHTING

### Surface Mount Flange/Stake



Includes three 7 inch threaded stainless steel stabilizing pins for ground mounting or surface mounts with four screws or over a junction box

**5000-SCP-BZ**  
Bronze on Aluminum

### Additional Mounting Stake



**9000-ST9-BK**  
Durable PVC stake

### Magnetic Transformers

Stainless Steel, 12-15V output, IP65 rated, UL 1838 listed  
See transformer spec sheet for details and its accessories

**9075-TRN-SS**  
75W Max

**9150-TRN-SS**  
150W Max

**9300-TRN-SS**  
300W Max

**9600-TRN-SS**  
600W Max



### TESTED MAGNETIC LOW VOLTAGE (MLV) DIMMERS

Luminaire	Dimmer					
	Manufacturer	Family	Model	Power Rating	Range*	Note
<b>6021</b>	Lutron	Diva	DVLV-600	600W	33% - 100%	Output maxes at 50% dimming level
		Skylark	SLV-600P	600W	28% - 100%	Output maxes at 50% dimming level
		Skylark	S-10P	1000W		Not recommended

\*Low end of this range is determined by output current which may not directly translate to the perceived light output

WAC Lighting fixtures are compatible with a variety of dimmers. For your convenience we have included a compatibility chart showing dimmers which have been tested with our products. The recommended list below is based upon testing conducted in a lab, and the results can vary in certain field applications due to a number of factors. Exclusion from the list does not imply incompatibility, just that it has not been tested by WAC Lighting. Please reference the dimmer manufacturer's instructions for installation, or contact a WAC lighting professional at 800-526-2588.

waclighting.com  
Phone (800) 526.2588  
Fax (800) 526.2585

Headquarters/Eastern Distribution Center  
44 Harbor Park Drive  
Port Washington, NY 11050

Central Distribution Center  
1600 Distribution Ct  
Lithia Springs, GA 30122

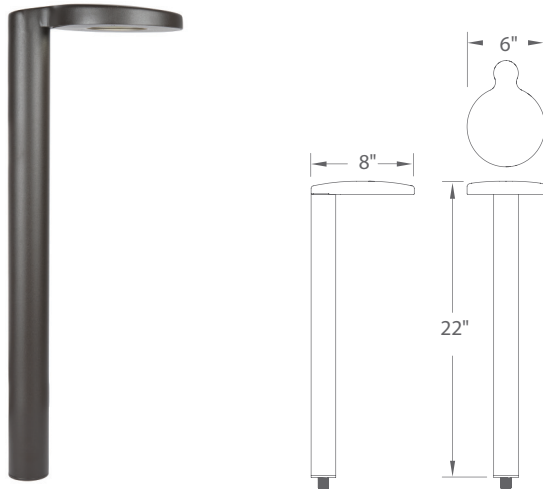
Western Distribution Center  
1750 Archibald Avenue  
Ontario, CA 91760

# ROUND PATH LIGHT

6031

# WAC

## LANDSCAPE LIGHTING



Fixture Type:

Catalog Number:

Project: \_\_\_\_\_

Location: \_\_\_\_\_

### PRODUCT DESCRIPTION

Sturdy side mount design works well in applications where directional illumination is desired

### FEATURES

- IP66 rated, Protected against powerful water jets
- Factory sealed water tight fixtures
- Translucent lens provides uniform light distribution
- Solid diecast corrosion resistant aluminum alloy
- Recommended spacing for installation: 8 to 10ft
- Mounting stake, 6 foot lead wire, and direct burial gel filled wire nuts are included
- Maintains constant lumen output against voltage drop
- UL 1838 Listed

### SPECIFICATIONS

**Input:** 9-15VAC (Transformer is required)  
**Power:** 2.9W / 4.7VA  
**Brightness:** 125 lm  
**CRI:** 90+  
**Rated Life:** 60,000 hours

### ORDERING NUMBER

		Color Temp	Finish
<b>6031</b>	<i>Round Path</i>	<b>27</b> 2700K <b>30</b> 3000K	<b>BZ</b> <i>Bronze on Aluminum</i>

**6031-\_\_\_BZ**

Example: **6031-30BZ**

### ACCESSORIES

Surface Mount Flange/Stake



*Includes three 7 inch threaded stainless steel stabilizing pins for ground mounting or surface mounts with four screws or over a junction box*

**5000-SCP-BZ**  
*Bronze on Aluminum*

Additional Mounting Stake



**9000-ST9-BK**  
*Durable PVC stake*

waclighting.com  
Phone (800) 526.2588  
Fax (800) 526.2585

Headquarters/Eastern Distribution Center  
44 Harbor Park Drive  
Port Washington, NY 11050

Central Distribution Center  
1600 Distribution Ct  
Lithia Springs, GA 30122

Western Distribution Center  
1750 Archibald Avenue  
Ontario, CA 91760

# ROUND PATH LIGHT

6031

# WAC

## LANDSCAPE LIGHTING

### Surface Mount Flange/Stake



Includes three 7 inch threaded stainless steel stabilizing pins for ground mounting or surface mounts with four screws or over a junction box

**5000-SCP-BZ**  
Bronze on Aluminum

### Additional Mounting Stake



**9000-ST9-BK**  
Durable PVC stake

### Magnetic Transformers

Stainless Steel, 12-15V output, IP65 rated, UL 1838 listed  
See transformer spec sheet for details and its accessories

**9075-TRN-SS**  
75W Max

**9150-TRN-SS**  
150W Max

**9300-TRN-SS**  
300W Max

**9600-TRN-SS**  
600W Max



### TESTED MAGNETIC LOW VOLTAGE (MLV) DIMMERS

Luminaire	Dimmer					
	Manufacturer	Family	Model	Power Rating	Range*	Note
<b>6031</b>	Lutron	Diva	DVLV-600	600W	33% - 100%	Output maxes at 50% dimming level
		Skylark	SLV-600P	600W	28% - 100%	Output maxes at 50% dimming level
		Skylark	S-10P	1000W		Not recommended

\*Low end of this range is determined by output current which may not directly translate to the perceived light output

WAC Lighting fixtures are compatible with a variety of dimmers. For your convenience we have included a compatibility chart showing dimmers which have been tested with our products. The recommended list below is based upon testing conducted in a lab, and the results can vary in certain field applications due to a number of factors. Exclusion from the list does not imply incompatibility, just that it has not been tested by WAC Lighting. Please reference the dimmer manufacturer's instructions for installation, or contact a WAC lighting professional at 800-526-2588.

waclighting.com  
Phone (800) 526.2588  
Fax (800) 526.2585

Headquarters/Eastern Distribution Center  
44 Harbor Park Drive  
Port Washington, NY 11050

Central Distribution Center  
1600 Distribution Ct  
Lithia Springs, GA 30122

Western Distribution Center  
1750 Archibald Avenue  
Ontario, CA 91760