

INSTALLATION INSTRUCTIONS

Underwater Spot Light

5511

WAC LIGHTING

Responsible Lighting®

WARNING

IMPORTANT: NEVER attempt to do any work without shutting off the electricity.

1. Read all instructions before installing.
2. System is intended for installation by a qualified electrician in accordance with the National Electrical Code and local regulations.
3. Place the wall switch in the "OFF" position.
4. Go to the main fuse box, or circuit breaker. Unscrew the fuse(s) or switch "OFF" the circuit breaker switch(es) that control the power to the space that you are working on.

CAUTION

- All parts must be used as indicated in these instructions. Do not substitute any parts, leave parts out, or use any parts that are worn out or broken. Failure to follow this instruction may invalidate the UL listing of this fixture.

CAUTION: NOT FOR USE IN SWIMMING POOL OR SPA APPLICATIONS.

NOT FOR USE IN SALT WATER APPLICATIONS (doing so will void the luminaire finish warranty)

NOTE: Leave enough extra cable to be able to freely remove fixture from water for servicing. Do not pull on the cable as this may cause the liquid tight seal on the fixture to break which will void the warranty and result in possible leakage.

NOTE: Do not loosen or remove the liquid tight connector in the back of the fixture. This will damage the factory installed seal and result in possible leakage.

NOTE: End of underwater cable must be potted to prevent moisture from entering cable and consequently entering luminaire. Connection or splicing of cable must be made above water line and at least 4' from water edge. This luminaire comes with 30 feet of cable to facilitate installation away from water.

NOTE: This fixture must be submerged in a body of water with a maximum depth of 3 feet.

AVERTISSEMENT

IMPORTANT : Coupez l'électricité avant TOUTE manipulation.

- Lisez toutes les instructions avant d'installer.
- Système est destiné à être installé par un électricien qualifié en conformité avec le code national de l'électricité et les règlements locaux.
- Placez l'interrupteur mural en position d'arrêt (« OFF »).
- Toujours mettre le fusible ou le disjoncteur en position arrêt dans la pièce ou des travaux électriques sont prévus

MISE EN GARDE

- Toutes les pièces doivent être utilisées tel qu'il est indiqué dans ces instructions. Ne remplacez pas les pièces, n'en laissez pas de côté et ne les utilisez pas si elles sont usées ou brisées. Le non-respect de ces instructions peut annuler l'homologation UL du luminaire.

ADVERTENCIA

IMPORTANTE: NUNCA intente hacer trabajos sin desconectar el suministro eléctrico.

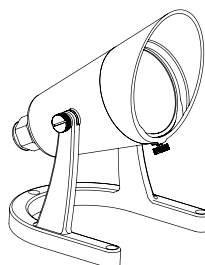
- Lea y comprenda todas las instrucciones e ilustraciones por completo antes de proceder con el ensamblaje e instalación de esta lámpara.
- Sistema está diseñado para ser instalado por un electricista calificado, de acuerdo con el código eléctrico nacional y las normas locales.
- Coloque el interruptor de la pared en la posición "OFF" (APAGADO).
- Diríjase a la caja de fusibles o a la caja del interruptor de circuito principal en su hogar. Coloque el interruptor de alimentación principal en la posición "OFF" (APAGADO).

PRECAUCIÓN

- Todas las piezas deben usarse como lo indican estas instrucciones. No reemplace las piezas, no omita piezas durante la instalación ni utilice piezas gastadas o rotas. El incumplimiento de esta indicación podría invalidar la calificación UL esta lámpara.

THIS INSTRUCTION APPLYS TO THE MODEL(S) BELOW: 5511 (FIG.1)

FIG.1



waclighting.com
Phone (800) 526.2588
Fax (800) 526.2585

Headquarters/Eastern Distribution Center
44 Harbor Park Drive
Port Washington, NY 11050

Central Distribution Center
1600 Distribution Ct
Lithia Springs, GA 30122

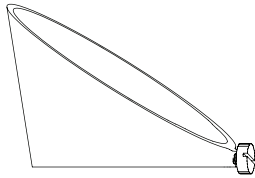
Western Distribution Center
1750 Archibald Avenue
Ontario, CA 91760



INSTALLATION INSTRUCTIONS
Underwater Spot Light
 5511

WAC LIGHTING
 Responsible Lighting®

INSTALLATION ACCESSORIES:



Detachable Shroud
 Qty: 1pc



Outdoor Rated Wire Nut
 Qty: 2pcs

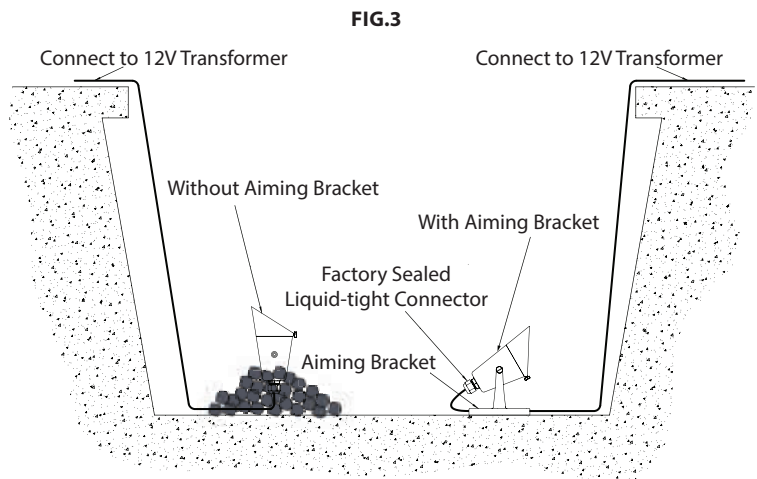


Aiming Bracket Mounting
 Screws and Anchors
 Qty: 3pcs

INSTALLATION WITHOUT AIMING BRACKET (FIG.3):

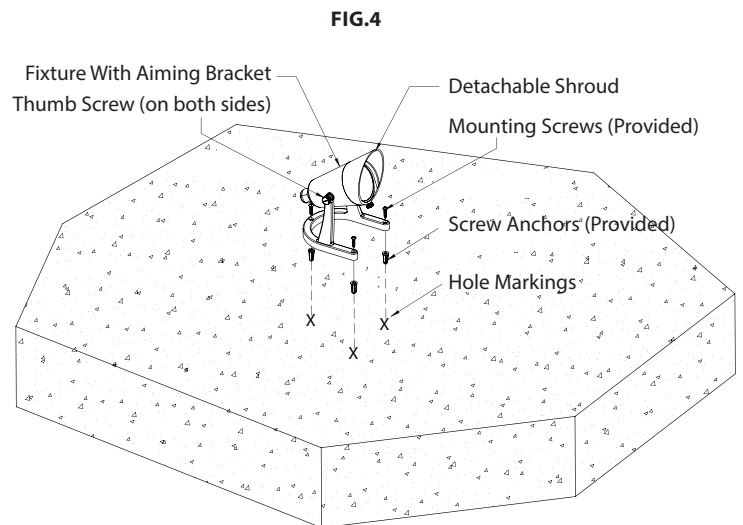
1. Place fixture at desired location within fountain, pond or water feature.
2. Place rocks around fixture to keep it in place.
3. Route lead wire to 12V power source and make connection. Use approved gel filled wire nuts.
4. Turn on 12V power supply and check for proper operation.

1. Place fixture at desired location within fountain, pond or water feature.
2. Place rocks around fixture to keep it in place.
3. Route lead wire to 12V power source and make connection. Use approved gel filled wire nuts.
4. Turn on 12V power supply and check for proper operation.



INSTALLATION WITH AIMING BRACKET (FIG.4):

1. Place fixture at desired location within fountain, pond or water feature. Holes in bottom of aiming bracket can be used to attach bracket to bottom/side surface if needed. Using the holes on the aiming bracket to mark the three mounting points. Using the marks to drill holes and insert the anchors. Mount the fixture onto the anchors by using the mounting screws. (Mounting screws and anchors are provided.)
2. Loosen thumb screws on both sides of the aiming bracket, adjust fixture to desired angle then tighten thumb screws firmly.
3. Route lead wire to 12V power source and make connection. Use approved gel filled wire nuts.
4. Turn on 12V power supply and check for proper operation.
5. To re-adjust fixture angle, turn off power and repeat Step 2.



waclighting.com
 Phone (800) 526.2588
 Fax (800) 526.2585

Headquarters/Eastern Distribution Center
 44 Harbor Park Drive
 Port Washington, NY 11050

Central Distribution Center
 1600 Distribution Ct
 Lithia Springs, GA 30122

Western Distribution Center
 1750 Archibald Avenue
 Ontario, CA 91760



INSTALLATION INSTRUCTIONS

Underwater Spot Light

5511

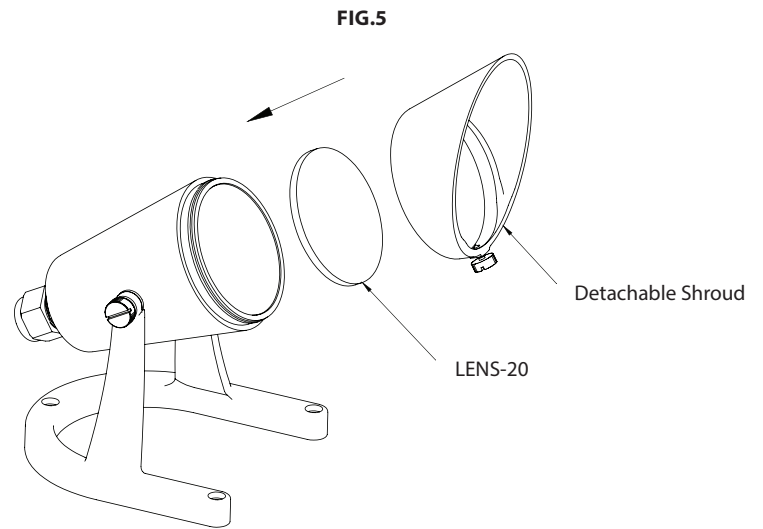
WAC LIGHTING

Responsible Lighting®

ACCESSORIES LENS ACCESSORY (FIG.5):

Frosted, red, blue, green and amber lens accessories are used to alter the spectrum and distribution of the light coming out of the fixture.

INSTALLATION: Place the lens in between the fixture and the shroud. Tighten the thumb screw on the shroud to secure the lens in place.



waclighting.com
Phone (800) 526.2588
Fax (800) 526.2585

Headquarters/Eastern Distribution Center
44 Harbor Park Drive
Port Washington, NY 11050

Central Distribution Center
1600 Distribution Ct
Lithia Springs, GA 30122

Western Distribution Center
1750 Archibald Avenue
Ontario, CA 91760

