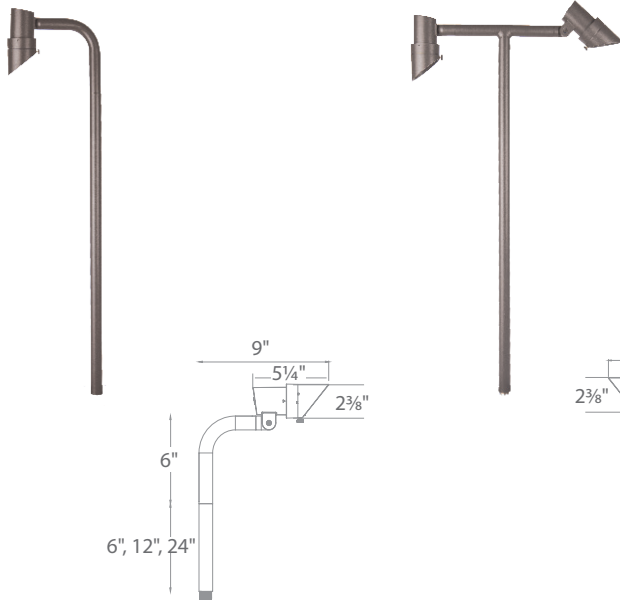


# MINI ACCENT LED PATH

6111 / 6211

# WAC

## LANDSCAPE LIGHTING



Fixture Type:

Catalog Number:

Project: \_\_\_\_\_

Location: \_\_\_\_\_

### PRODUCT DESCRIPTION

Landscape mini accent luminaire. One fixture replaces all older halogen landscape accent lights

### FEATURES

- Continuously Adjustable Beam Angles. Indexed at 10°, 25°, 40°, 50°
- Continuously Adjustable brightness control. Indexed at 1W, 2W, 4W, 6W, 7W
- Adjustable beam angle
- IP66 rated, Protected against high-pressure water jets
- Includes a detachable shroud
- Solid diecast brass or corrosion resistant aluminum
- Factory sealed water tight fixtures
- Constant output for 9V-15V input
- Can be used as an uplight or downlight
- 2700K or 3000K color temperature
- Guardian detachable shroud, 6' lead wire and direct burial gel filled wire nuts included
- UL & cUL 1838 Listed

### SPECIFICATIONS

**6111** *Single*  
**Input:** 9-15VAC (Transformer is required)  
**Power:** 1W to 7W / 2VA - 10.5VA  
**Brightness:** 45lm to 365 lm  
**CRI:** 85  
**Rated Life:** 70,000 hours

**6211** *Double*  
**Input:** 9-15VAC (Transformer is required)  
**Power:** 1W to 7W / 2VA - 10.5VA x 2  
**Brightness:** 45lm to 365 lm x 2  
**CRI:** 85  
**Rated Life:** 70,000 hours

### ORDERING NUMBER

		Color Temp	Finish
<b>6111</b>	<i>Single</i>	<b>27</b> 2700K Warm White	<b>BBR</b> Bronze on Brass*
<b>6211</b>	<i>Double</i>	<b>30</b> 3000K Pure White	<b>BZ</b> Bronze on Aluminum

*\*Stems/Rods are made of Aluminum*

**6111-\_\_\_BBR**

Example: **6111-30BBR**

wacighting.com  
 Phone (800) 526.2588  
 Fax (800) 526.2585

Headquarters/Eastern Distribution Center  
 44 Harbor Park Drive  
 Port Washington, NY 11050

Central Distribution Center  
 1600 Distribution Ct  
 Lithia Springs, GA 30122

Western Distribution Center  
 1750 Archibald Avenue  
 Ontario, CA 91760

WAC Lighting retains the right to modify the design of our products at any time as part of the company's continuous improvement program.

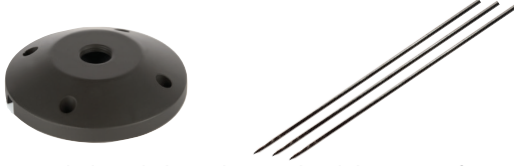
# MINI ACCENT LED PATH

6111 / 6211

# WAC

## LANDSCAPE LIGHTING

### Surface Mount Flange/Stake



*Includes three 7 inch threaded stainless steel stabilizing pins for ground mounting or surface mounts with four screws or over a junction box*

**5000-SCP-BZ**

*Bronze on Aluminum*

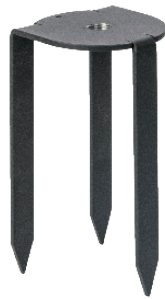
### 5" Long Shroud



*Reduce glare. Ideal for downlighting application*

**5111-LSHR-BZ** *Bronze on Aluminum*

**5111-LSHR-BBR** *Bronze on Brass*



### Guardian Mount

*Heavy duty stainless steel spike to position fixture.  
Formed from a single piece of metal*

**9000-SP9-BZ**

*Stainless Steel*

### Magnetic Transformers

*Stainless Steel, 12-15V output, IP65 rated, UL 1838 listed  
See transformer spec sheet for details and its accessories*

**9075-TRN-SS**

*75W Max*

**9150-TRN-SS**

*150W Max*

**9300-TRN-SS**

*300W Max*

**9600-TRN-SS**

*600W Max*



waclighting.com  
Phone (800) 526.2588  
Fax (800) 526.2585

Headquarters/Eastern Distribution Center  
44 Harbor Park Drive  
Port Washington, NY 11050

Central Distribution Center  
1600 Distribution Ct  
Lithia Springs, GA 30122

Western Distribution Center  
1750 Archibald Avenue  
Ontario, CA 91760

*WAC Lighting retains the right to modify the design of our products at any time as part of the company's continuous improvement program.*