

Fixture Type: _____

Catalog Number: _____

Project: _____

Location: _____

3" Hardscape

Quick Connect Linear Hardscape Light

Model & Size	Color Temp & CRI	Watt	Lumens	Finish
7032 3"	27 2700K - 85	1.5W	50	BK Black on Aluminum
	30 3000K - 85	1.5W	50	BZ Bronze on Aluminum
				GH Graphite on Aluminum
				SD Sand on Aluminum

Example: **7032-27BK**

DESCRIPTION

Integral brightness control, select color temperature option. Hardscape easily detaches from capstone bracket after installation. Factory sealed water-tight fixture. Tightly spaced and diffused LEDs for even illumination. Mounting options included: stainless steel under capstone brackets, clips and hardware. Can be mounted on wall in all orientations

FEATURES

- Quick release connection at fixture to easily detach after installation
- Hardscape easily detaches from capstone bracket after installation
- Factory-sealed water tight fixture
- Transformer required
- 10 yrs warranty

SPECIFICATIONS

Construction: Corrosion resistant aluminum alloy

Power: 1.5W

Input: 50/60Hz, 9-15 VAC

Light Source: Integrated LED

3 Step Mac Adam Ellipse

Lens: PC Diffuser

Rated Life: 50000 Hours

Mounting: Can be mounted on wall in all orientations

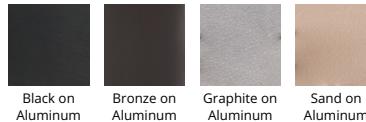
Finish: Enamel Coated Sand on Aluminum, Enamel Coated Graphite on Aluminum, Enamel Coated Bronze on Aluminum, Enamel Coated Black on Aluminum

Operating Temp: -40°F to 122°F (-40°C to 50°C)

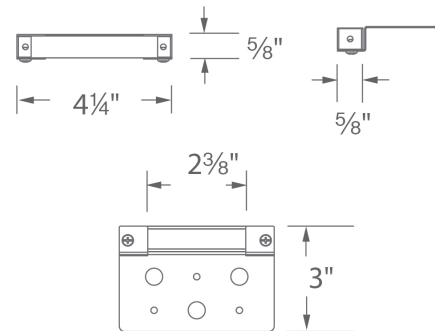
Standards: ETL, cETL, Wet Location Listed, IP66



FINISHES



LINE DRAWING



WAC LIGHTING

12V Magnetic Transformer (Outdoor)

Accessory

Fixture Type: _____

Catalog Number: _____

Project: _____

Location: _____

Model & Product

Model & Product	L x W x H
9075-TRN-SS 75W Magnetic Landscape Lighting Power Supply in Stainless Steel	13.97IN x 5.35IN x 5.63IN
9150-TRN-SS 150W Magnetic Landscape Lighting Power Supply in Stainless Steel	18.9IN x 6.69IN x 6.3IN
9300-TRN-SS 300W Magnetic Landscape Lighting Power Supply in Stainless Steel	18.9IN x 6.69IN x 6.3IN
9600-TRN-SS 600W Magnetic Landscape Lighting Power Supply in Stainless Steel	14.49IN x 10.08IN x 5.94IN

DESCRIPTION

Example: 9075-TRN-SS

WAC Landscape Lighting Magnetic power supplies are 12V AC to support the entire line of 12V Landscape Lighting products, including Accent, Flood, Well, Indicator, Submersible, 12V Tape Light, Step and Wall, Deck and Patio, Path and Area, and Hardscape lighting products. The Stainless Steel housing enhances protection from corrosive and outdoor elements. Mounting extrusion with varying knockout sizes proved for a simple installation. Heavy gauged grounded and water resistant cord included for simple plug-in power feature. Hinged cover includes a loop to safely lock the power supply with an optional lock to secure access from inner contents. Multiple wire taps ranging from 12V-16V on terminal strip, for long runs where voltage drop may occur. Hinged cover includes a loop to safely lock the power supply with an optional lock to secure access from inner contents.

FEATURES

- Outdoor rated stainless steel transformer contains an outdoor rated 3-prong plug for power
- Knock outs for power and photosensor connections
- 3-prong outlet for timer
- Taps for 12V, 13V, 14V and 15V
- 6' lead input wire, except for the 600W which comes with a 5' lead wire
- UL 1838 Listed
- MLV Dimming capable, dimming dependent upon fixture type
- 5 year warranty

SPECIFICATIONS

Construction:	Stainless steel
Input:	120 VAC, 50/60Hz
Finish:	Stainless Steel Stainless Steel
Operating Temp:	-40°F to 122°F (-40°C to 50°C)
Standards:	UL, cUL, Wet Location Listed, IP65



FINISHES



Stainless Steel

LINE DRAWING

